

HUBER+SUHNER® DATA SHEET

Data Line Protector: 3414.99.0007B



Description

Data Line Protector Symmetric Pair

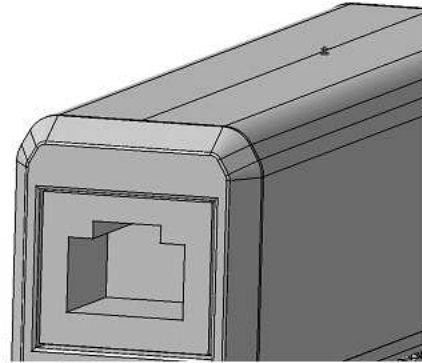
Benefits

Patch cable included
 Hybrid Protector
 Shield and ground separated
 Power over Ethernet

All lines protected

Product Configuration

Main path connectors RJ45 jack 8-Pin jack (female) - RJ45 jack 8-Pin jack (female) (unprotected side - protected side)
 Mounting and grounding M4 (M=screw)



Technical Data

Electrical Data

Impedance	100 Ω	
Frequency range	DC to 100 MHz	
Insertion loss	≤ 0.5 dB	
Voltage rating	per pair	± 6 V
Current rating	per pair	1.5 A max.
Current handling capability	wire - wire	0.1 kA (test pulse 8/20 μs)
	wire - ground	2.5 kA (test pulse 8/20 μs)
	shield - ground	5 kA (test pulse 8/20 μs)
Protection level	wire - wire	20 V typically (test pulse 4 kV 1.2/50 μs / 2 kA 8/20 μs)
	wire - ground	700 V typically (test pulse 4 kV 1.2/50 μs / 2 kA 8/20 μs)
	shield - ground	700 V typically (test pulse 4 kV 1.2/50 μs / 2 kA 8/20 μs)
Clamping voltage	wire - wire	15 V
	wire - ground	90 V
	shield - ground	90 V

Mechanical Data

Weight 70 g

Environmental Data

Operating temperature -40 °C to +85 °C
 Waterproof degree IP 20 (according to IEC 60529, data refer to the coupled state)
 2002/95/EC (RoHS) Telecom compliant

Material Data

Piece Parts	Material	Surface Plating
Body	Aluminium	Chromatized

Related Documents

Outline drawing	DOU-00070124.1
Mounting instruction	DOC-0000228433

HUBER+SUHNER® DATA SHEET

Data Line Protector: 3414.99.0007B



Rev.: B

Additional Information

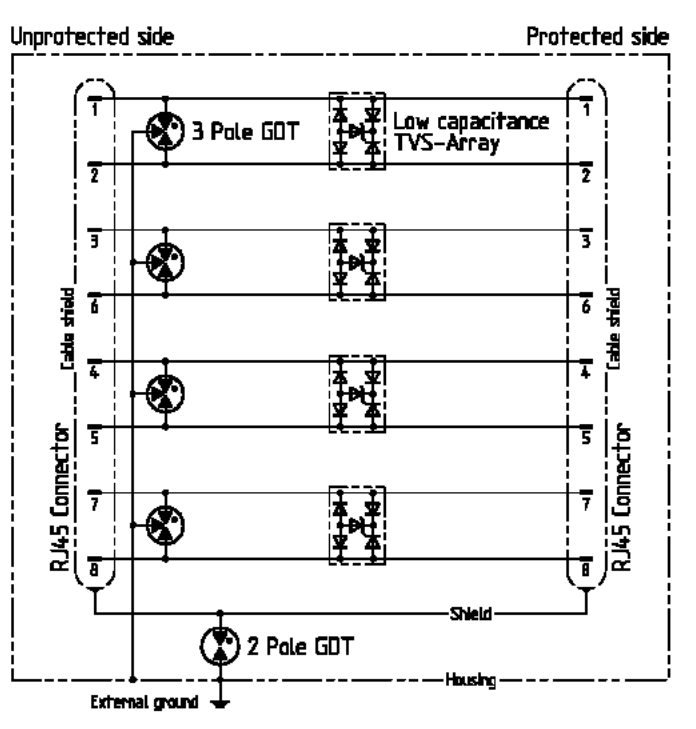
Remarks

Twisted Pair Surge Protector (ISO 11801, EN50173, EIA/TIA 568)
Class D specified by GHMT

Network Standards: 10BASE-T / 100BASE-TX / 100BASE-T4 / 1000BASE-T / ATM-25 / ATM-51 / ATM-155 / 100VG-AnyLan / TR-4 / TR-16 / TP-PMD

For applications with "Data Terminal Equipment Powered via Media Dependent Interface" (IEEE 802.3af)

Circuit Diagram



HUBER+SUHNER is certified according to ISO 9001 and ISO 14001

WAIVER!
It is exclusively in written agreements that we provide our customers with warrants and representations as to the technical contained specifications and/or the fitness for any particular purpose. The facts and figures herein are carefully compiled to the best of our knowledge, but they are intended for general informational purposes only.



HUBER+SUHNER AG
RF Protection
9100 Herisau, Switzerland
Phone +41 (0)71 353 41 11
Fax +41 (0)71 353 45 90
www.hubersuhner.com

HUBER+SUHNER – Excellence in Connectivity Solutions